

Electric grill



CME 410 SLR.



Half-ridged, half smooth steel electric grill.

- 12 mm-steel half-ridged, half-smooth grill.
- Cooking surface: 367 x 495 mm (18 dm²).
- Collection channel for juices with drainage outlet at the front of the grill.
- Removable oil trap, capacity: 1.5 L.
- Welded 30/10 stainless steel splash-guard, perfectly watertight.
- Power 3.3 kW.
- Electric supply: 230V single phase or three-phase 400V + N + E.
- Variable power control switch and temperature limitation to 300°C.
- Supplied without shelves – Open bay.

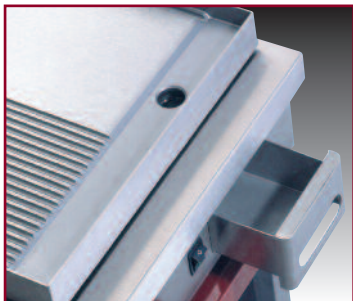
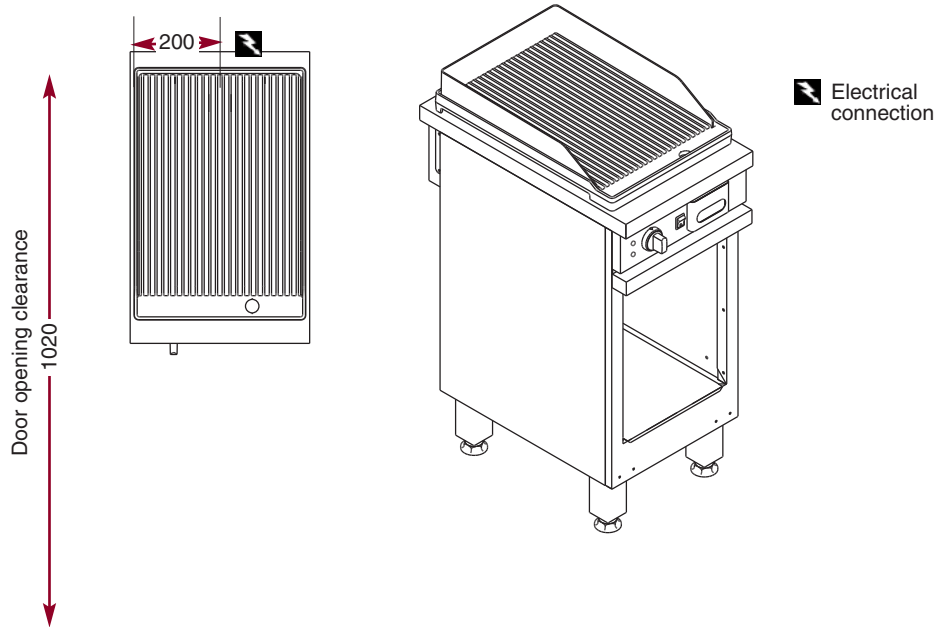
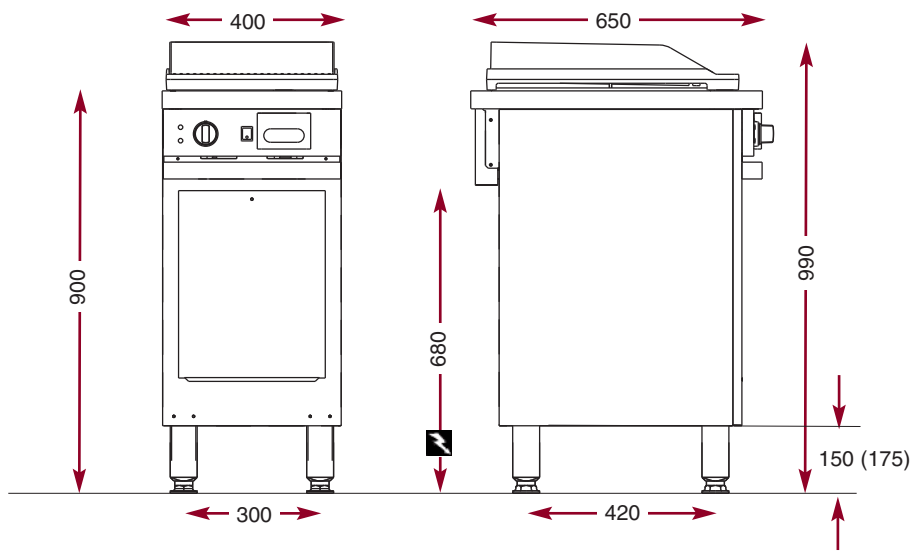
CME 410 SLR

W 400 - D 650 - H 900

Door option 400.

CPM 400

Half-ridged, half smooth steel electric grill CME 410 SLR



Oil trap.

AMBASSADE
DE FOURGOGNE

The Chef's Choice.